



Solid-State Light. Done Right.

APPROVAL SHEET

AOT MODEL NAME	3030S2
AOT PART NUMBER	3030S-W3K6
CUSTOMER NAME	General
DATE	2021/07
VERSION	01

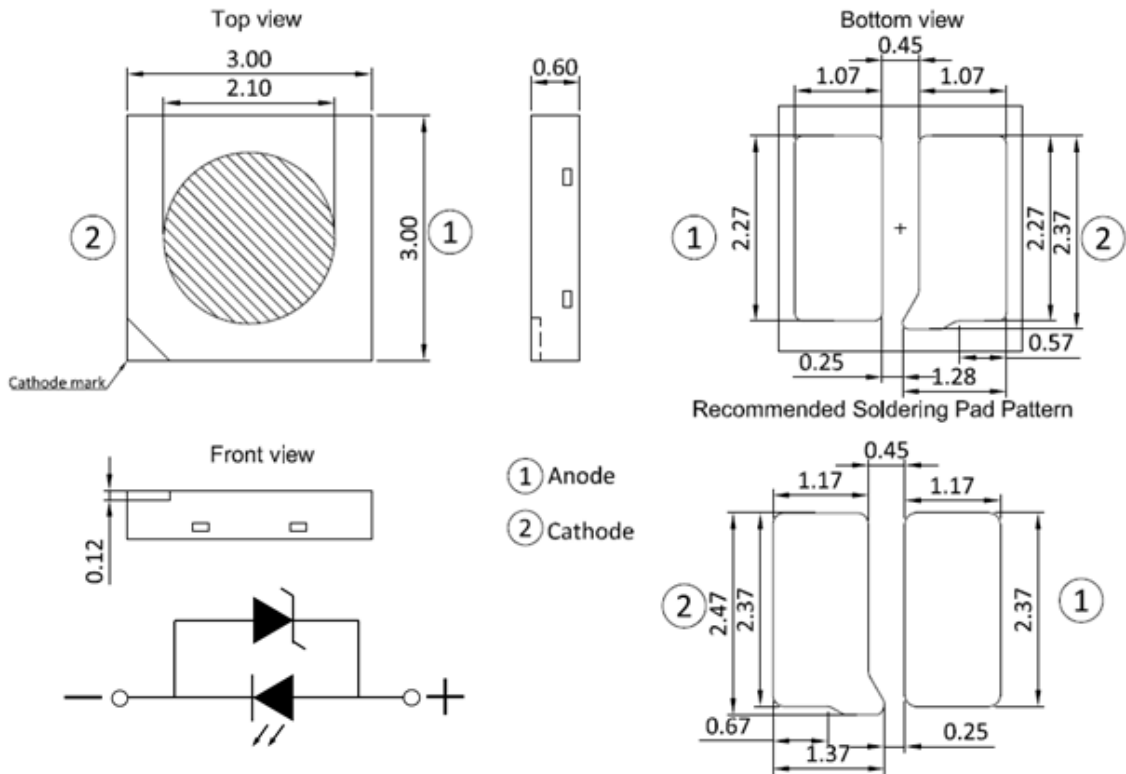
MAKER			CUSTOMER			
Prepared	Checked	Approved				
Robert Chien						

AOT Headquarters
No. 13, Gongye 5th. Road, Hsinchu Industrial Park, Hukou Shiang,
Hsinchu Hsien 303, Taiwan, R.O.C.
TEL: +886-3-597-6988 / FAX: +886-3-598-7392

Package Outline

Model name:3030S-W3K6

Unit: mm, Tolerance: ± 0.2 mm



Item	Materials
Package	Heat-Resistant Polymer
Encapsulating	Silicone Resin(with phosphor)
Electrode	Ag Plating Copper Alloy

- One blue chip.
- High brightness SMD.
- Compact package outline (LxWxH) of 3.0 mm x 3.0 mm x 0.6 mm.
- Compatible with reflow soldering.
- Complies with RoHS Directive.

Optical/Electronic Characteristics (T_s=25°C)

Item	Symbol	Condition	Min	Typ.	Max	Unit
Forward Voltage	V _F	I _F = 700mA	3.0	-	3.42	V
Luminous Flux	Φ _v	I _F = 700mA	220	-	260	lm
Thermal Resistance	R _{th-s-j}	I _F = 700mA-	5	8		K/W

* Tolerance of measurements of the Forward Voltage is ± 0.05 V.

* Tolerance of measurements of the Luminous Flux is ± 7%.

Absolute Maximum Ratings (T_s=25°C)

Item	Symbol	Absolute Maximum Rating	Unit
Forward Current	I _F	940	mA
*Pulse Forward Current	I _{FP}	1000	mA
Power Dissipation	P _D	3214.8	mW
Operating Temperature	T _{opr}	-30~+85 (I _F =700mA)	°C
Storage Temperature	T _{stg}	-40~+100	°C
Soldering Temperature	T _{slid}	Reflow Soldering : 215°C for 10sec Hand Soldering : 215°C for 3sec	
Junction Temperature	T _j	125	°C
Forward Voltage at Low Current	V _{F2}	>1.95 (@1uA)	V

* I_{FP} Conditions : Pulse Width ≤10msec, and duty ≤1/10

* Max condition is not guarantee for life time

*T_s(max)=70°C

Group Definition of Forward Voltage

Rank	Condition	V _F (V)
V2	T _s =25°C I _F =700mA	2.8 ~ 3.0
V3		3.0 ~ 3.2
V4		3.2 ~ 3.4
V5		3.4 ~ 3.6

Group Definition of Brightness

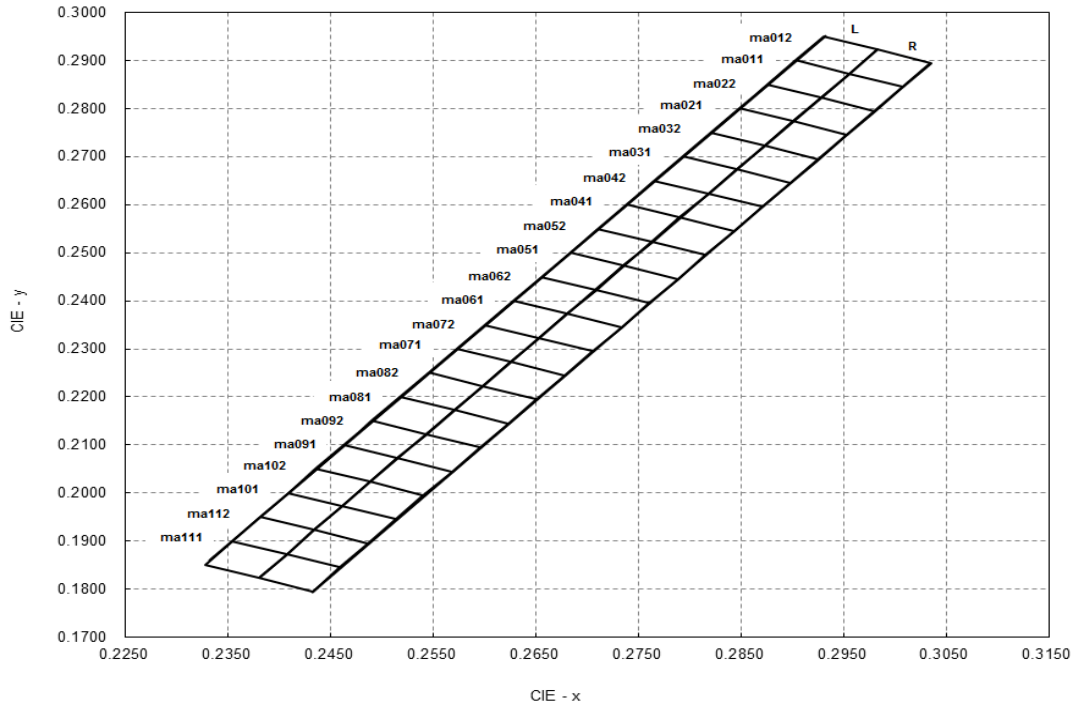
Rank	Condition	AOT Luminous Flux(lm)
T200	T _s =25°C I _F =700mA	200 ~ 210
T210		210 ~ 220
T220		220 ~ 230
T230		230 ~ 240
T240		240 ~ 250
T250		250 ~ 260
T260		260 ~ 270
T270		270 ~ 280

*A shipment shall consist of LEDs in a combination of above ranks.

The percentage of each rank in the shipment shall be determined by AOT.

*The ranking information of LEDs can be found on the reel label.

Group Definition of Chromaticity Coordinate



Color Rank

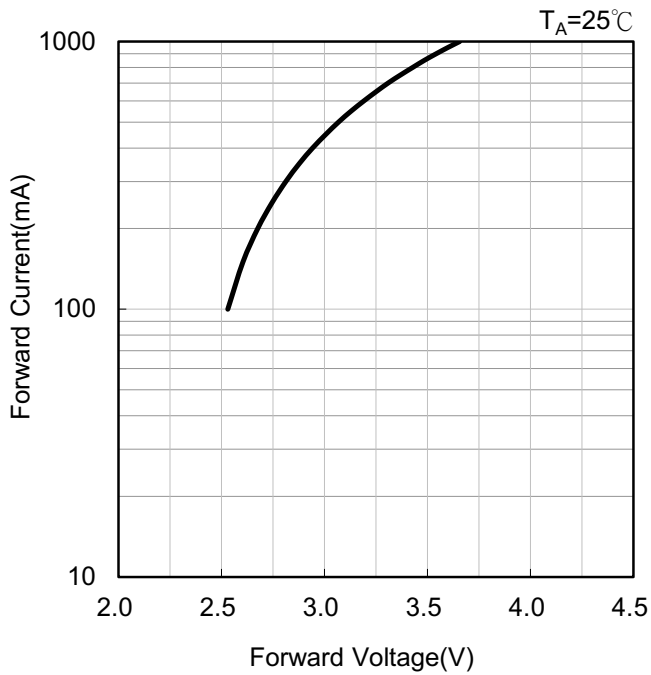
Rank	x	y	Rank	x	y	Rank	x	y
ma011L	0.2875	0.2850	ma041L	0.2710	0.2550	ma071L	0.2545	0.2250
	0.2903	0.2900		0.2738	0.2600		0.2573	0.2300
	0.2955	0.2873		0.2790	0.2573		0.2625	0.2273
	0.2928	0.2823		0.2763	0.2523		0.2598	0.2223
ma011R	0.2928	0.2823	ma041R	0.2763	0.2523	ma071R	0.2598	0.2223
	0.2955	0.2873		0.2790	0.2573		0.2625	0.2273
	0.3008	0.2845		0.2843	0.2545		0.2678	0.2245
	0.2980	0.2795		0.2815	0.2495		0.2650	0.2195
ma012L	0.2903	0.2900	ma042L	0.2738	0.2600	ma072L	0.2573	0.2300
	0.2930	0.2950		0.2765	0.2650		0.2600	0.2350
	0.2983	0.2923		0.2818	0.2623		0.2653	0.2323
	0.2955	0.2873		0.2790	0.2573		0.2625	0.2273
ma012R	0.2955	0.2873	ma042R	0.2790	0.2573	ma072R	0.2625	0.2273
	0.2983	0.2923		0.2818	0.2623		0.2653	0.2323
	0.3035	0.2895		0.2870	0.2595		0.2705	0.2295
	0.3008	0.2845		0.2843	0.2545		0.2678	0.2245
ma021L	0.2820	0.2750	ma051L	0.2655	0.2450	ma081L	0.2490	0.2150
	0.2848	0.2800		0.2683	0.2500		0.2518	0.2200
	0.2900	0.2773		0.2735	0.2473		0.2570	0.2173
	0.2873	0.2723		0.2708	0.2423		0.2543	0.2123

Rank	x	y	Rank	x	y	Rank	x	y
ma021R	0.2873	0.2723	ma051R	0.2708	0.2423	ma081R	0.2543	0.2123
	0.2900	0.2773		0.2735	0.2473		0.2570	0.2173
	0.2953	0.2745		0.2788	0.2445		0.2623	0.2145
	0.2925	0.2695		0.2760	0.2395		0.2595	0.2095
ma022L	0.2848	0.2800	ma052L	0.2683	0.2500	ma082L	0.2518	0.2200
	0.2875	0.2850		0.2710	0.2550		0.2545	0.2250
	0.2928	0.2823		0.2763	0.2523		0.2598	0.2223
	0.2900	0.2773		0.2735	0.2473		0.2570	0.2173
ma022R	0.2900	0.2773	ma052R	0.2735	0.2473	ma082R	0.2570	0.2173
	0.2928	0.2823		0.2763	0.2523		0.2598	0.2223
	0.2980	0.2795		0.2815	0.2495		0.2650	0.2195
	0.2953	0.2745		0.2788	0.2445		0.2623	0.2145
ma031L	0.2765	0.2650	ma061L	0.2600	0.2350	ma091L	0.2435	0.2050
	0.2793	0.2700		0.2628	0.2400		0.2463	0.2100
	0.2845	0.2673		0.2680	0.2373		0.2515	0.2073
	0.2818	0.2623		0.2653	0.2323		0.2488	0.2023
ma031R	0.2818	0.2623	ma061R	0.2653	0.2323	ma091R	0.2488	0.2023
	0.2845	0.2673		0.2680	0.2373		0.2515	0.2073
	0.2898	0.2645		0.2733	0.2345		0.2568	0.2045
	0.2870	0.2595		0.2705	0.2295		0.2540	0.1995
ma032L	0.2793	0.2700	ma062L	0.2628	0.2400	ma092L	0.2463	0.2100
	0.2820	0.2750		0.2655	0.2450		0.2490	0.2150
	0.2873	0.2723		0.2708	0.2423		0.2543	0.2123
	0.2845	0.2673		0.2680	0.2373		0.2515	0.2073
ma032R	0.2845	0.2673	ma062R	0.2680	0.2373	ma092R	0.2515	0.2073
	0.2873	0.2723		0.2708	0.2423		0.2543	0.2123
	0.2925	0.2695		0.2760	0.2395		0.2595	0.2095
	0.2898	0.2645		0.2733	0.2345		0.2568	0.2045
ma101L	0.2381	0.1950	ma102R	0.2461	0.1973	ma112L	0.2354	0.1900
	0.2408	0.2000		0.2488	0.2023		0.2381	0.1950
	0.2461	0.1973		0.2540	0.1995		0.2434	0.1923
	0.2434	0.1923		0.2513	0.1945		0.2407	0.1873
ma101R	0.2434	0.1923	ma111L	0.2327	0.1850	ma112R	0.2407	0.1873
	0.2461	0.1973		0.2354	0.1900		0.2434	0.1923
	0.2513	0.1945		0.2407	0.1873		0.2486	0.1895
	0.2486	0.1895		0.2380	0.1823		0.2459	0.1845
ma102L	0.2408	0.2000	ma111R	0.2380	0.1823			
	0.2435	0.2050		0.2407	0.1873			
	0.2488	0.2023		0.2459	0.1845			
	0.2461	0.1973		0.2432	0.1795			

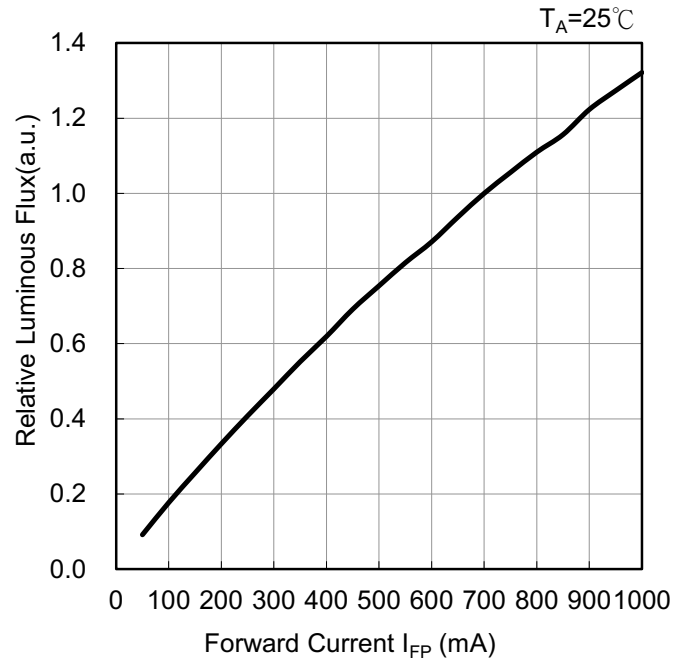
Note: Chromaticity coordinate groups are measured with an accuracy of ± 0.005

Optical and electrical characteristics

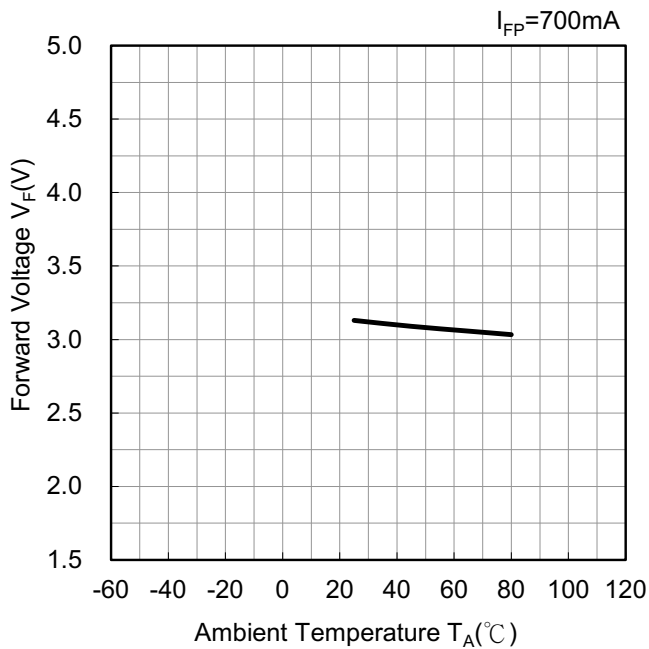
Forward Voltage vs. Forward Current



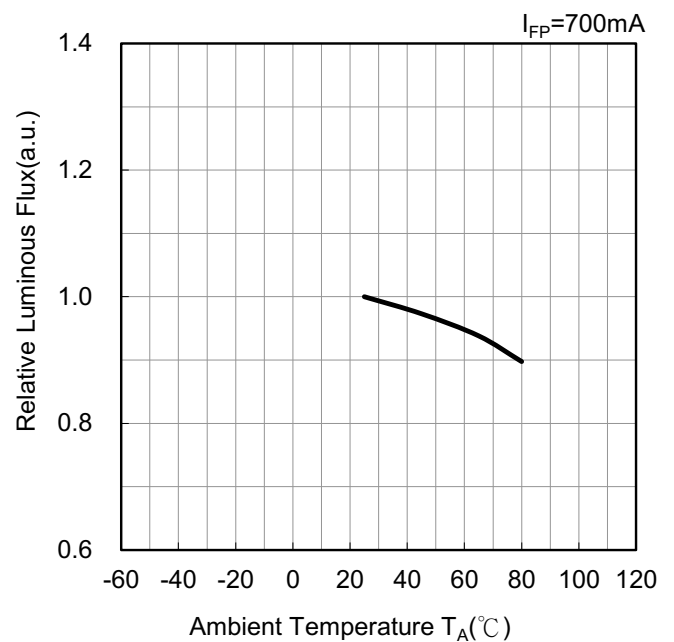
Forward Current vs. Relative Luminous Flux



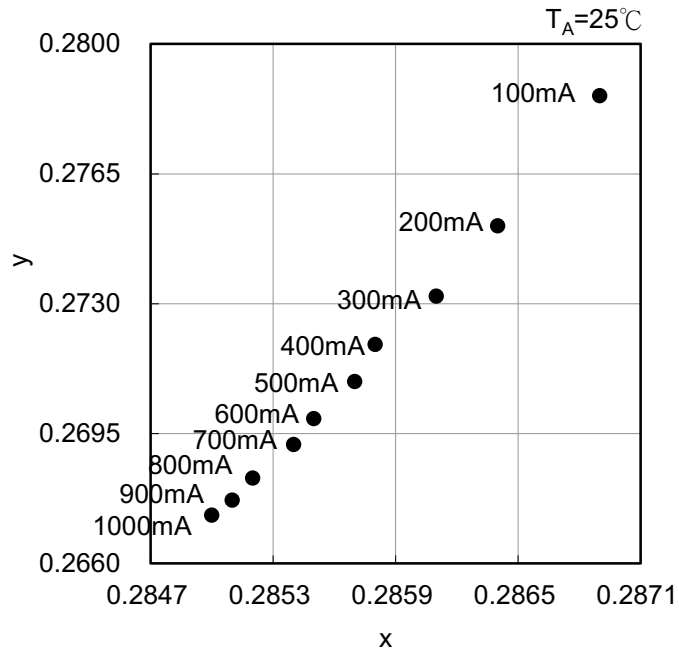
Ambient Temperature vs. Forward Voltage



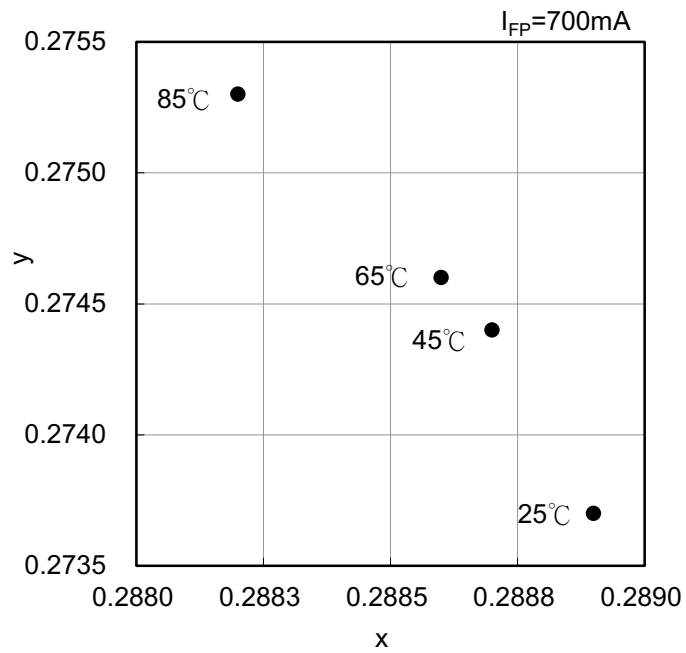
Ambient Temperature vs. Relative Luminous



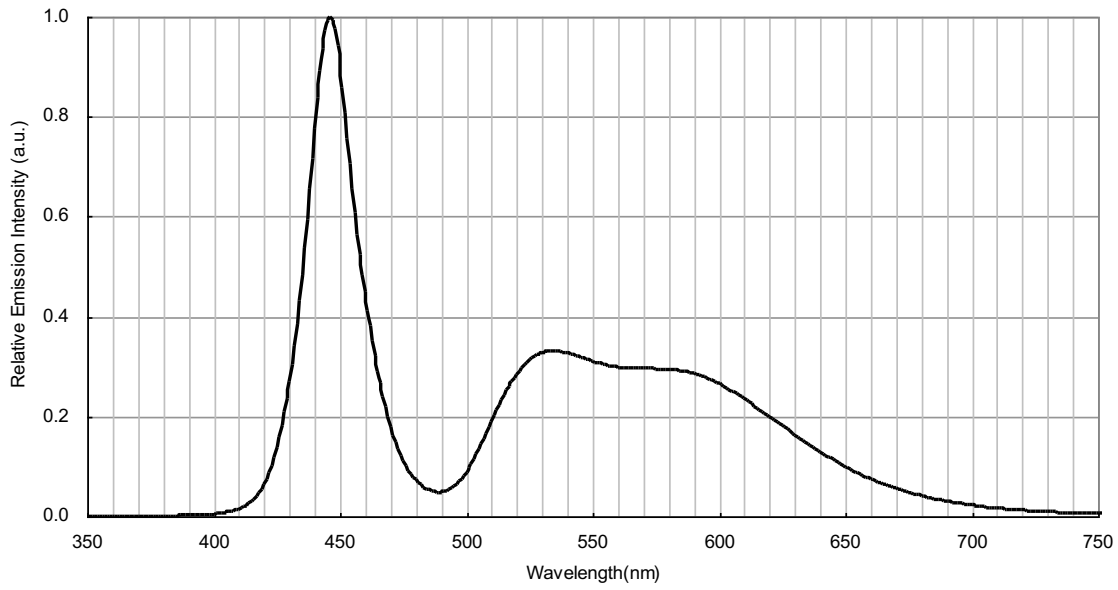
Forward Current vs. Chromaticity Coordinate



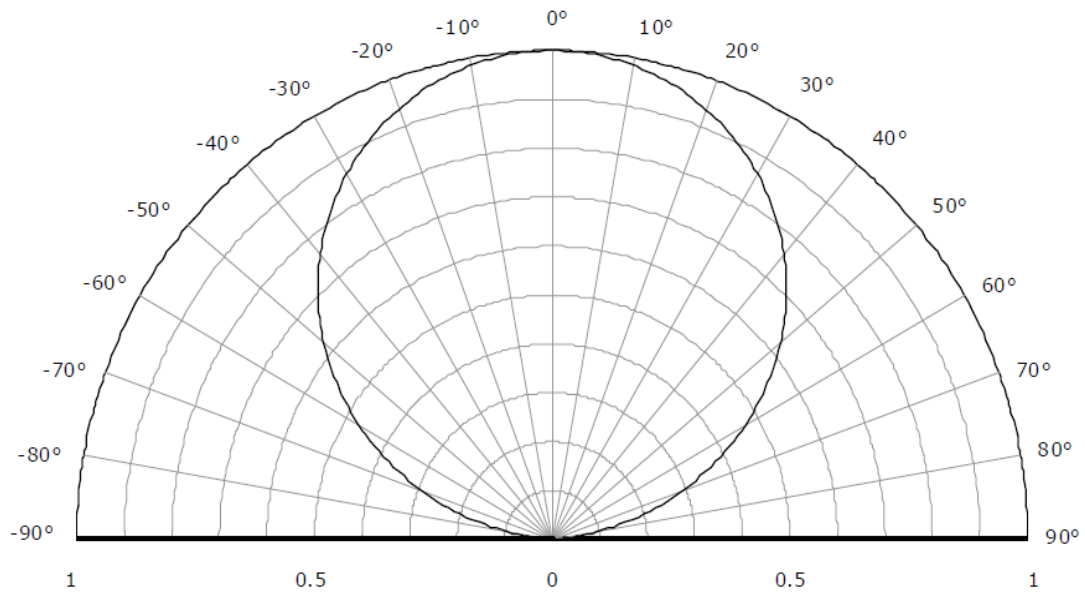
Ambient Temperature vs. Chromaticity Coordinate



Spectrum($T_A=25^\circ\text{C}$, $I_{FP}=700\text{mA}$)



Radiation Pattern($T_A=25^\circ\text{C}$, $I_{FP}=700\text{mA}$)



Recommended Reflow Soldering Conditions

Surface Mounting Condition

In automatic mounting of the SMD LEDs on printed circuit boards, any bending, expanding and pulling forces or shock against the SMD LEDs should be kept min. to prevent them from electrical failures and mechanical damages of the devices.

Soldering Reflow

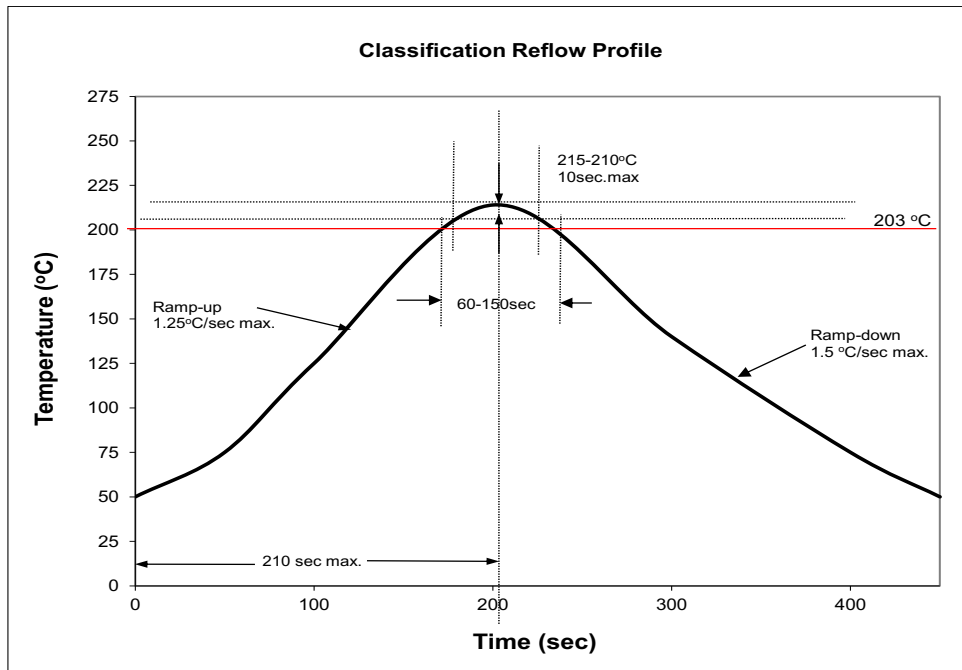
-Soldering of the SMD LEDs should conform to the soldering condition in the individual specifications.

-SMD LEDs are designed for Reflow Soldering.

-In the reflow soldering, too high temperature and too large temperature gradient such as rapid heating/cooling may cause electrical & optical failures and damages of the devices.

-AOT cannot guarantee the LEDs after they have been assembled using the solder dipping method.

(1) SMT Profile



(2) Manual Soldering Conditions

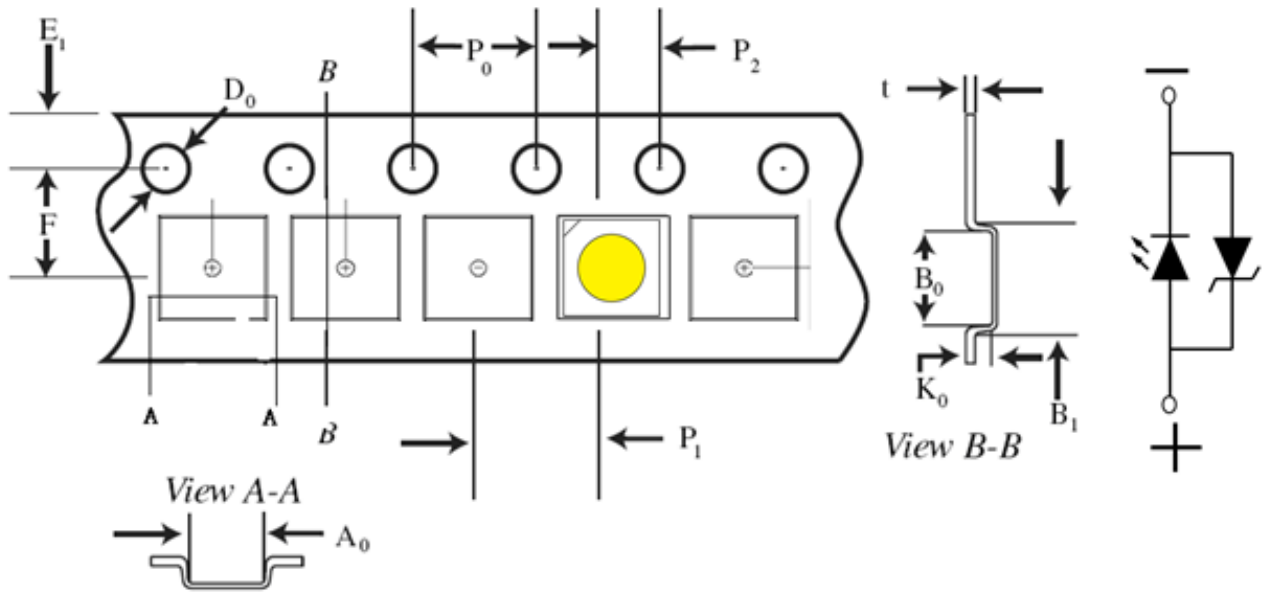
Use Low Temperature, 215°C for max. 3sec, and only one time.

- There is possibility that the brightness of LEDs is decreased, which is influenced by heat or ambient atmosphere during reflow. It is recommended to use the nitrogen reflow method.

- After LEDs have been soldered, repair should not be done. As repair is unavoidable, a double-head soldering iron should be used. It should be confirmed beforehand whether the characteristics of the LEDs will be damaged by repairing or not.

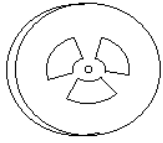
- Reflow soldering should not be done more than two times.

Dimensions (Unit :mm)

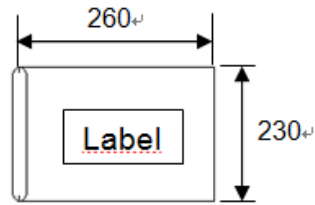
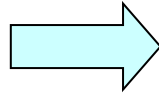


Item	Spec.	Tolerance(mm)	Item	Spec.	Tolerance(mm)
W	8.00	±0.10	P2	2.00	±0.05
E	1.75	±0.10	t	0.25	±0.02
F	3.50	±0.05	A0	3.16	±0.05
D0	1.50	+0.10	B0	3.16	±0.05
D1	0.5	±0.05	K0	0.71	±0.05
P0	4.00	±0.10			

Packing Formation

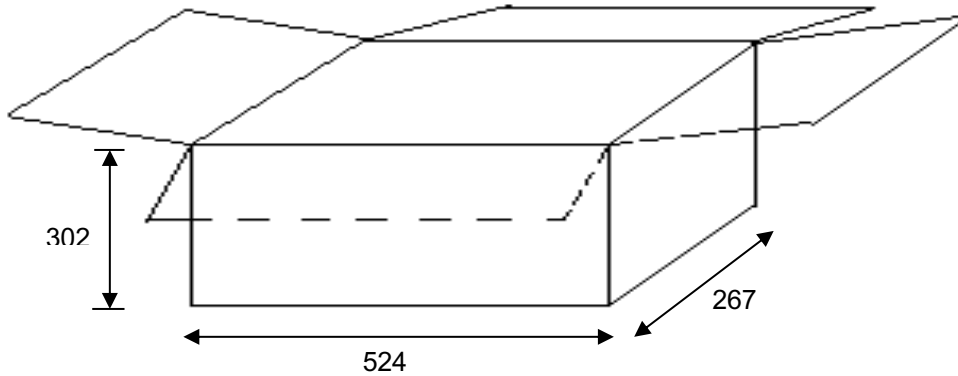
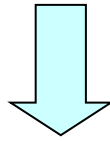


Diameter : 178 mm
 Width : 8 mm
 3,500 pcs/Reel
 Antistatic Reel

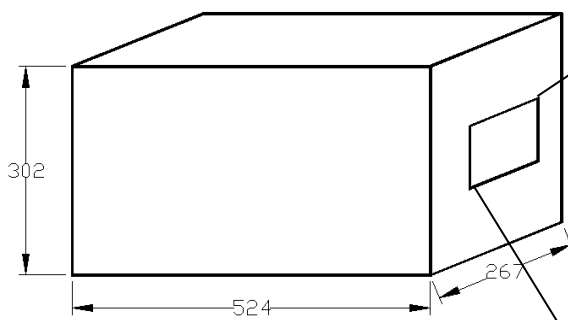


MBB Bag
 +5g drying agent
 +Humidity card
 1 Reel / Bag

50 Bags / 1 Carton
 ⇒ 175,000 pcs/ 1Carton




Package Outlook



 Solid-State Light. Done Right. Advanced Optoelectronic Technology Inc.	
Customer	
PO No.	
Part No.	
Quantity	
Packing Date	
Carton No.	
Ship No.	
QC Check	 
備註	

Reel Label Definition

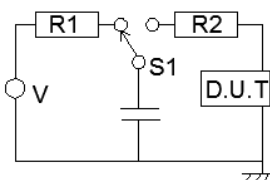
SMD LED	SAP. No.
Part Number : XXXXX-XXXX	
Brightness : A	
CIE : B	
VF : C	
Quantity : nn ea	
Serial No : SM0yymmddxxxx	
	
Cust. PN. : XXXXX-XXXX	

A : Iv value.
B : CIE value noted
C : Vf value.
nn : Quantity of LED

SM0yymmddxxx : yy : year, mm : month, dd : day, xxxx : reel no.

***Reel Label to fill in practice data of all LED characteristic**

Reliability Test

No.	Test Item	Test Conditions	Test Hours / Cycles	Sample NO.	Ac/Re
1	Steady State Operating Life (ROTL)	$T_A=25^{\circ}\text{C}$ $I_F=700\text{mA}$	1000 hr	20 pcs	0/1
2	High Temp. Humidity Life (WHTOL)	$T_A=85^{\circ}\text{C}$, 85% RH $I_F=700\text{mA}$	1000 hr	20 pcs	0/1
3	Steady State Operating Life of High Temperature (HTOL)	$T_A=-85^{\circ}\text{C}$, $I_F=700\text{mA}$	1000 hr	20 pcs	0/1
4	Steady State Operating Life of Low Temperature (HTOL)	$T_A=-30^{\circ}\text{C}$, $I_F=700\text{mA}$	1000 hr	20 pcs	0/1
5	High Temp. Storage Life (HTSL)	$T_A=100^{\circ}\text{C}$	1000 hr	20 pcs	0/1
6	Low Temp. Storage Life (LTSL)	$T_A=-40^{\circ}\text{C}$	1000 hr	20 pcs	0/1
7	High Temp. High Humidity Storage Life (HTHSL)	$T_A=85^{\circ}\text{C}$, 85% RH	1000 hr	20 pcs	0/1
8	Thermal Shock	H : 125°C 15min ~L : -45°C 15min (Transfer Time : 3min)	100 cycles	20 pcs	0/1
9	Resistance to Soldering Heat (Reflow Soldering)	$T_{\text{slid}}=245^{\circ}\text{C}$, 3sec (pre treat. 30°C , 70%, 168hrs)	2 time	20pcs	0/1
10	ESD (HBM) ($\pm 5\text{Kv}$)	 <p>R1 : $10\text{M}\Omega$, R2 : $1.5\text{K}\Omega$, C : 100pF</p>	3 times	20 pcs	0/1

Criteria for Judging Damage

Item	Symbol	Test Conditions	Criteria for Judgement	
			Min.	Max.
Forward Voltage	V_F	$I_F=700\text{mA}$	-	*U.S.L $\times 1.1$
Luminous Flux	ϕ_v	$I_F=700\text{mA}$	*L.S.L $\times 0.7$	-

* U.S.L: Upper Standard Level

* L.S.L: Lower Standard Level

CAUTIONS

(1) Moisture Proof Package

The moisture proof package should be used to prevent moisture in the package as the moisture may Cause damage to optical characteristics of the LEDs.

The aluminum bag with zipper is used for moisture proof package. And, the moisture absorbent Material, Silica gel, is inserted into aluminum bag.

(2) Storage:

Storage Conditions

Before opening the package:

The LEDs should be kept at 30°C or less than 90%RH or less. The LEDs should be used within a year. When storing the LEDs, moisture proof packaging with absorbent material is recommended.

After opening the package:

After open the package, the LED should be kept at 30°C, 60%RH or less. The LED should be soldered within 4 weeks after opening the package. If unused LEDs remain, it should be stored in moisture proof condition.

(3) Heat Generation

Thermal design of the end products is of paramount importance. The heat generation must be taken into design consideration when using the LED. The coefficient of the temperature increase per input electric power is affected by the thermal resistance of the circuit board and density of LED placement on the board, as well as other components.

(4) Static Electricity

Static electricity or surge voltage damages the LEDs. All equipment and machinery must be properly grounded. It is recommended to use a wristband or anti-electrostatic glove when handling the LEDs. When inspecting the final products in which LEDs were assembled, it is recommended to check whether the assembled LEDs are damaged by static electricity or not. It is easy to find static-damaged LEDs by a light-on test or a Vf test at a lower current. (Below 1mA is recommended).

Criteria: $V_f > 1.95V$ at $I_f = 1\mu A$

(5) Cleaning

Use isopropyl alcohol as a solvent for cleaning the LEDs. The other solvent may dissolve the LEDs package and the epoxy.

Ultrasonic cleaning should not be done.

(6) Electrostatic Discharge (ESD)

The products are sensitive to static electricity or surge voltage, An ESD event may damage its die or reduce its reliability performance. When handling the products, measures against electro static discharge, including the followings, are strongly recommended.

Eliminating the charge;

Wrist strap, ESD footwear and garments, ESD floors

Grounding the equipment and tools at workstation



Solid-State Light. Done Right.

ESD table / shelf mat (conductive materials)

Proper grounding techniques are required for all devices, equipment and machinery used in the assembly of the products, Also note that surge protection should be considered in the design of customer products.

If tools or equipment contain insulating materials, such as glass or plastic, proper measures against electro static discharge, including the followings are strongly recommended.

- Dissipating the charge with conductive materials

- Preventing the charge generation with moisture

- Neutralizing the charge with ionizer

(7) Others

When using the LEDs, it must care that the reverse voltage will not exceed the absolute maximum rating.

The LED light is enough to injure human eyes, so it should avoid looking at LED light directly.

NOTE.

All the information published is considered to be reliable. However, AOT does not assume any liability arising out of the application or use of any product described herein.

AOT reserves the right to make changes at any time without notice to any products in order to improve reliability, function or design.

AOT products are not authorized for use as critical components in life support devices or systems without the express written approval from the managing director of AOT.